



Catalog - August 2016

Arc Guard System™ – TVOC-2

Contents

Arc guard system with communication module	5
Introduction	6
System description	7
Functionality	8
Ordering details	9
Technical data	11
Applications	
Basic installation tips	13
Diagrams	14
Configuration	
Trip condition configuration – Manual/auto reset configuration	15
Current condition configuration	16
Dimensions	17
Circuit diagrams	18

Arc guard system with communication module

Monitor your installation, anytime and anywhere

ABB is a leader in electrical safety with the TVOC-2 arc guard system providing an unrivaled optical arc mitigation device with SIL-2 safety certification. The plug-in communication module provides operators real time status updates and instant information regarding the location of any arcs.



Safety and protection

Saving lives and minimizing damage to equipment

With a market-leading reaction time of under 1 ms, TVOC-2 is already the fastest, most reliable arc guard solution available on the market. By adding this communication module, information regarding any trip travels faster, reaching the right people sooner.



Continuous operation

Keeping the business running

An arc flash accident can have a catastrophic effect on equipment and lead to outages. The TVOC-2 detects the light from an arc flash and, together with the installed breaker, cutting the current feeding the arc extremely quickly, minimizing disruption of the system.



Easy to install

Factory calibrated sensors

Configuration of the TVOC-2 is done in minutes and with the HMI verifying every setting done, it is extremely unlikely that mistakes will happen during the configuration.

With the possibility to accommodate up to 30 sensors, the system is highly flexible and can grow with any system.

Introduction

Arc Guard System™

TVOC-2, ABB's Arc Monitor, builds on the well known TVOC design. Its new functions and features improve an already great product, putting even more focus on reliability, flexibility and simplicity.

Arc Guard System™ protects people and equipment, and eliminates unnecessary production stops.

Arc monitor type TVOC-2 is ABB's state-of-the-art solution for arc fault protection in all applications, providing functional safety.

With over 35 years of experience, Arc Guard System™ has become an industry standard in several key markets, helping to protect personnel and businesses around the world.

Typical applications include all low- and medium-voltage switchgears.

Reliability

- Certified according to functional safety (SIL-2) standard
- Over 35 years experience in Arc Guard Systems
- Pre-calibrated optical sensors

Flexibility

- HMI (Human Machine Interface) can be mounted on the panel door
- COM Module operates in the same way as HMI. With added ability to communicate with a remote station using Modbus RTU
- Expandable with up to 30 optical sensors
- Configure the system according to various needs

Simplicity

- User-friendly start-up menu
- DIN-rail or wall-mounted
- Easy to expand as the switchgear functions are added



System description

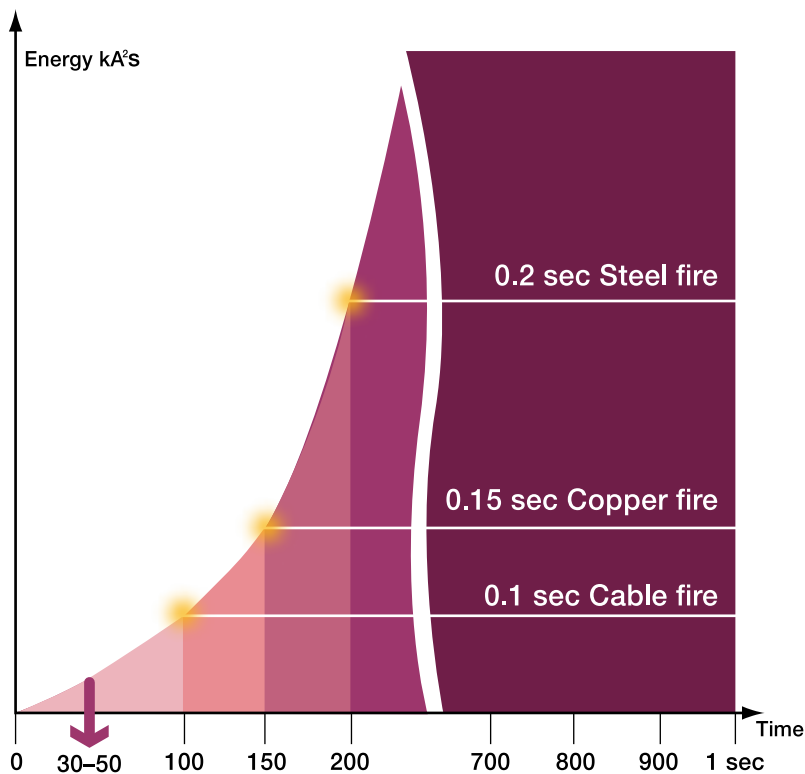
Arc Guard System™

Arc Guard System™ quickly detects an arc fault and trips the incoming circuit-breaker. Using light as the main trip criteria, Arc Guard System™ trips instantaneously. Thanks to this key functional advantage, it overrides all other protections and delays, which is crucial when reaction times need to be measured in milliseconds.

How it works

The system acts in three phases:

- ① Light passes through an optical sensor (Detection)
- ② The Arc monitor determines the intensity of light (Recognition)
- ③ The Arc monitor sends signal to trip breaker(s) (Action)



Total breaking time = ABB ArcGuard System™ + Breaker

Arc Faults

Short-circuit faults in LV and MV switchgears are often accompanied by an electric arc. An arc fault always leads to considerable damage to equipment and injury to personnel unless it is detected very quickly. To avoid serious damage and give the person involved a good chance of surviving the accident without severe injury, the fault should be disconnected as fast as possible, typically in less than 50 ms.

Functionality

Arc Monitor

With its modular concept, the Arc Monitor is designed to fit all types and sizes of low- and medium-voltage switchgears.

It is designed according to Functional Safety, and is SIL 2-certified according to IEC 61508 and IEC 62061 which puts full focus on reliability. This corresponds to performance level d according to EN ISO 13849-1. Safety functions are exclusively handled by hardware. In addition, the system, trip logs and user-interface are all microprocessor-monitored.

The system can be configured to trip selected breakers, depending on which sensor that detects the light. The DIP-switches that take care of this function also handle settings like auto-reset and Current Sensing Units (see pages 12-13 for more details).

Energy is stored in the unit for operation up to 0.2 s if the supply voltage fails. This is sufficient to close the tripping circuit even if voltage disappears at a short-circuit fault.

Note: The circuit breaker still needs a back-up energy source for its tripping circuit.

Connections

All connections can be accessed from the front of the arc monitor. Pluggable terminal blocks allow electrical wiring before mounting TVOC-2 into the cabinet. The solid state tripping contacts are type IGBT, which guarantees fast and reliable tripping.

More details can be found on page 8, technical data.



HMI (Human Machine Interface)

- Handles settings with key-pad and full text display
- Holds error log and trip information after power loss
- Error log and trip log include time/date stamp from a real-time clock
- TVOC-2 can handle two separate HMI:s (cabinet door and on product)
- Three-meter cable included
- COM Module available using Modbus RTU

Sensor & Sensor modules

- Fiber-optic sensors not affected by electrical noise
- Pre-calibrated sensors remove need for manual configuration
- Up to 30 detectors can be connected

Current Sensing Unit (optional)

The Current Sensing Unit (CSU) is an accessory needed only in those few specific applications where strong light is expected on a regular basis.

CSUs are connected with an optical fiber using light as signal for normal current. If this was removed by accident, the system would treat it as an over-current and trip if an arc flash is seen of reliability reasons.

Adding a CSU will result in an additional operating time depending on the size of the over-current and the number of phases measured. Under normal conditions the time from over-current occurring to actuating optical output is in the region between 2 and 8 milliseconds.

Arc Monitor connections

- 3 IGBT solid state tripping contacts
- 2 change-over trip signal relays
- 1 change-over self supervision alarm relay (IRF)
- 2 current sensing unit inputs
- 1 current sensing unit output

Mounting alternatives

- DIN-rail
- Wall mounting

Optical detector inputs

- 1-10 Main unit X1
- 1-10 Extension module X2
- 1-10 Extension module X3

HMI

- Can be mounted on door
- IP54
- Additional HMI possible
- User-friendly start up meny
- COM Module version available

Ordering details



Arc Monitor with HMI

1SFC170004F0002



Arc Monitor with COM Module

1SFC170001V0001



Extension unit

1SFC170012R0001



HMI

1SFC170013R0001



COM Module

1SFC170002V0001



Detector cable

1SFC170011F0001

Ordering details

Description	Rated supply voltage Uc		Type	Order code	Weight (1 pce) kg
	V 50/60 Hz	V DC			
Arc Monitor including one HMI and door mounting accessories	-	24...48	TVOC-2-48	1SFA664001R1002	0.95
	100...240	100...250	TVOC-2-240	1SFA664001R1001	
Arc Monitor including one COM Module and door mounting accessories	-	24...48	TVOC-2-48-C	1SFA664001R1004	0.95
	100...240	100...250	TVOC-2-240-C	1SFA664001R1003	

Accessories

Extension 10 optical inputs	TVOC-2-E1	1SFA664002R1001	0.15
Extension 10 optical inputs for cable TVOC-2-DP60 only	TVOC-2-E3	1SFA664002R3001	0.15
HMI (Human machine interface) additional	TVOC-2-H1	1SFA664002R1005	0.15
COM Module with communication interface (Modbus RTU) and door mounting accessories	TVOC-2-COM	1SFA664002R4001	0.15

Detectors

Cable length	1 m	TVOC-2-DP1	1SFA664003R1010	0.02
Cable length	2 m	TVOC-2-DP2	1SFA664003R1020	0.02
Cable length	4 m	TVOC-2-DP4	1SFA664003R1040	0.04
Cable length	6 m	TVOC-2-DP6	1SFA664003R1060	0.60
Cable length	8 m	TVOC-2-DP8	1SFA664003R1080	0.80
Cable length	10 m	TVOC-2-DP10	1SFA664003R1100	0.10
Cable length	15 m	TVOC-2-DP15	1SFA664003R1150	0.15
Cable length	20 m	TVOC-2-DP20	1SFA664003R1200	0.20
Cable length	25 m	TVOC-2-DP25	1SFA664003R1250	0.25
Cable length	30 m	TVOC-2-DP30	1SFA664003R1300	0.30
Cable length (1)	60 m	TVOC-2-DP60	1SFA664003R3600	0.60

(1) Only to be used with TVOC-2-E3

Ordering details



CSU

1SFC17003F0002



Optical cable TVOC-2 – CSU

1SFC170017F0001



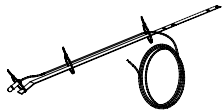
Optical cable TVOC-2 – TVOC-2

1SFC170018F0001



Cable strap

1SFC170010F0001



Mounting kit

1SFC170010F0001



Label

1SFC170014F0001



Mounting bracket

1SFC170015F0001

Ordering details

Description	Type	Order code	Weight (1 pce) kg
Current sensing unit	CSU	1SFA663002-A	1.500

Optical cable between TVOC-2 Arc monitor and Current sensing unit

Cable length	0.5 m	TVOC-1TO2-OP05	1SFA664004R2005	0.010
Cable length	1 m	TVOC-1TO2-OP1	1SFA664004R2010	0.010
Cable length	2 m	TVOC-1TO2-OP2	1SFA664004R2020	0.020
Cable length	4 m	TVOC-1TO2-OP4	1SFA664004R2040	0.040
Cable length	6 m	TVOC-1TO2-OP6	1SFA664004R2060	0.060
Cable length	8 m	TVOC-1TO2-OP8	1SFA664004R2080	0.080
Cable length	10 m	TVOC-1TO2-OP10	1SFA664004R2100	0.100
Cable length	15 m	TVOC-1TO2-OP15	1SFA664004R2150	0.150
Cable length	20 m	TVOC-1TO2-OP20	1SFA664004R2200	0.200
Cable length	25 m	TVOC-1TO2-OP25	1SFA664004R2250	0.250
Cable length	30 m	TVOC-1TO2-OP30	1SFA664004R2300	0.300

Optical cable between two TVOC-2 – Arc monitors (transferring CSU signal)

Cable length	0.5 m	TVOC-2_OP05	1SFA664004R1005	0.01
Cable length	1 m	TVOC-2-OP1	1SFA664004R1010	0.01
Cable length	2 m	TVOC-2-OP2	1SFA664004R1020	0.02
Cable length	4 m	TVOC-2-OP4	1SFA664004R1040	0.04
Cable length	6 m	TVOC-2-OP6	1SFA664004R1060	0.06
Cable length	8 m	TVOC-2-OP8	1SFA664004R1080	0.08
Cable length	10 m	TVOC-2-OP10	1SFA664004R1100	0.10
Cable length	15 m	TVOC-2-OP15	1SFA664004R1150	0.15
Cable length	20 m	TVOC-2-OP20	1SFA664004R1200	0.20
Cable length	25 m	TVOC-2-OP25	1SFA664004R1250	0.25
Cable length	30 m	TVOC-2-OP30	1SFA664004R1300	0.30

Optical cable between two Current sensing units (CSU)

Cable length	0.5 m		1SFA663004R1005	0.01
Cable length	1 m		1SFA663004R1010	0.01
Cable length	2 m		1SFA663004R1020	0.02
Cable length	4 m		1SFA663004R1040	0.04
Cable length	6 m		1SFA663004R1060	0.06
Cable length	8 m		1SFA663004R1080	0.08
Cable length	10 m		1SFA663004R1100	0.10
Cable length	15 m		1SFA663004R1150	0.15
Cable length	20 m		1SFA663004R1200	0.20
Cable length	25 m		1SFA663004R1250	0.25
Cable length	30 m		1SFA663004R1300	0.30

Cable straps	1 set incl. 50 pcs	TVOC-2-MK1	1SFA664006R1001	0.10
---------------------	--------------------	------------	-----------------	------

Mounting kit	600 mm		1SFA663006R1001	0.35
	800/1000 mm		1SFA663006R1002	0.60


Label	1 set incl. 10 pcs		1SFA663005R1001	0.02
--------------	--------------------	--	-----------------	------

Mounting bracket	1 set incl. 5 bracket pcs and 10 cable strap pcs		1SFA663006R1010	0.25
-------------------------	--	--	-----------------	------

Technical data

Optical inputs and output	
Optical detectors	10 inputs on Arc Monitor 10 inputs on Extension unit X2 (optional) 10 inputs on Extension unit X3 (optional)
Current signal from CSU	2 inputs: X1.21, X1.22 (optical)
Forward current signal to another Arc Monitor	1 output: X1.23 (optical)
Breaker trip contacts (K4, K5, K6)	
Solid state tripping contacts	3 NO solid state type IGBT
Rated voltage	250 V AC / DC
Make and carry for 0.2 s	30 A
Make and carry for 1 s 0.15% duty ration	10 A
Breaking capacity	250 V 1.5 A AC-15
	250 V 1 A DC-13
	110 V 3 A DC-13
	48 V 3 A DC13
	Reinforced insulation between separate contacts Voltage drop 5 V 30 A, 3 V 3 A, 2 V 10 mA Off state current < 1 mA at 250 V 60 Hz Min. recommended load current 10 mA
Signal relay outputs (K2, K3)	
Manual or auto resettable	2 CO gold-plated contacts
Rated voltage	250 V AC / DC
Continuous carry I_{th}	5 A
Make and carry for 0.2 s	30 A
Make and carry for 3 s 10% duty ratio	15 A
Breaking capacity	250 V 3 A AC-15
	250 V 0.3 A DC-13
	110 V 0.6 A DC-13
	48 V 2 A DC-13
	Reinforced insulation between separate contacts $I_{th} = 5 A$ Min switching load: 1 mA at 5 V DC with contacts not used for switching current > 0.5 A if inductive/capacitive load before.
Internal Relay Fault (IRF) signal (K1)	
Self supervision alarm relay	1 CO gold-plated contact
Rated voltage	250 V AC/DC
Continuous carry, I_{th}	5 A
Make and carry for 3 s	8 A
Breaking capacity	250 V 1.5 A AC-15
	250 V 0.15 A DC-13
	110 V 0.3 A DC-13
	48 V 0.5 A DC-13
	Reinforced insulation between separate contacts $I_{th} = 5 A$ Min switching load: 1 mA at 5 V DC with contacts not used for switching current > 0.5 A if inductive/capacitive load before

Technical data

Settings and indications		
Connections for HMI on base module		1 output RJ45 male at front side 1 output RJ14 female at right side
Display on HMI		52 x 26 mm graphic LCD with LED backlight
Keyboard on HMI		Membrane buttons, 4 soft keys
LED signal on HMI		Power, Trip, Error
LED signal on Arc Monitor and extension units		Power, Trip
Configuration switches		8-pole DIP-switch on Arc Monitor front
Settings (HMI)		Time and display language
COM Module version		Modbus RTU protocol
Configuration (DIP switches)		Manual or auto reset of K2 and K3 Use of CSU or not Trip configuration
Display information		Trip log, connected modules, actual configuration self diagnostic test result and error log
Power supply	TVOC-2-240	TVOC-2-48
Rated supply voltage, U_s	100-240 V AC, 50-60 Hz 100-250 V DC	24 - 48 V DC Possibility to connect two power supplies for redundancy. (Common minus)
U_s variation	AC -20% – +10% DC -25% – +30%	DC -25% - +30%
Rated insulation voltage, U_i	250 V with reinforced insulation	250 V with reinforced insulation
Rated impulse withstand Voltage U_{imp}	4 kV	4 kV
Main MCB/fuse	Max. 10 A char. C/fuse 10 A gG	Max 6A, MCB ABB Type S202 Z6A
Power consumption	5 W	5W
Start-up time	< 15 ms from power on	< 100 ms from power on
Trip possible		
Reaction time		
From light detection to trip (contacts K4, K5, K6)		Approx. 1 ms (depends on light intensity)
From light detection to indication signal (relay K2, K3)		< 10 ms
Current condition from input to output		< 0.4 ms
Environmental conditions		
Altitude		Less than 2000 m above sea level.
Permissible ambient temperature		-25 to +55°C
Degree of protection		IP20 Arc Monitor IP54 HMI front side
Detector cable		
Maximum length		30 m with Arc Monitor and extension – E1 60 m with extension – E3
Service temperature range		-25 to +70°C continuous -25 to +85°C short-time
Smallest permissible bending radius		45 mm after installation 10 mm on handling
Acceptable backlight intensity light without tripping		3000 Lux
Optical cable		
Maximum length		30 m
Standards		
		
UL508		Industrial control equipment
CSA C22.2 No.14		Industrial control equipment
IEC 61508		Functional safety of electrical/electronic/programmable electronic safety-related systems
IEC EN60947-1		Low voltage switchgear and controlgear – Part 1: General rules
IEC EN60947-5-1		Low voltage switchgear and controlgear – Part 5-1: Control circuit devices and switching elements - Electromechanical control
IEC 61010-1		Safety requirements for electrical equipment for measurement, control and laboratory use

Applications

Basic installation tips

Arc Monitor (TVOC-2)

The Arc Monitor can be mounted anywhere in the switchgear, e.g. in the breaker cubicle or in a separate control cabinet. Tripping is handled by a separate tripping circuit. The task of the Arc Monitor is to close the circuit very quickly. You can connect up to 3 breakers in this way and, if required, trip different breakers depending on where the arc occurs.

CSU (Current Sensing Unit)

The CSU is an accessory used if you cannot prevent direct sunlight or other highly intensive light reaching the sensors frequently. CSUs can be mounted in series if more than two are needed.

Connection of current transformers (for CSU)

The CSU measures either 1, 2 or 3-phase. Three-phase is, however, preferable for reasons of safety and reliability. Current transformers with a secondary current of 1, 2 or 5 A are used for this purpose.

Note: Current transformers for relay protection are preferable since they do not saturate as quickly as standard current transformers. The transformers should not saturate before at least twice the set over-current level.

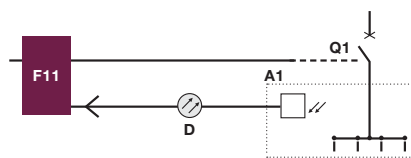
Detectors

Detector cables are available in standard lengths (see ordering details). They cannot be cut or joined. Avoid sharp bends or pinching when installing the cables.

The plastic fiber is made of polymethylene acrylate (PMMA) with a polyethylene jacket. Each detector consists of an optical cable and a lens that are calibrated together to give the same sensitivity independent of cable length. The detector has a plug-in connector that fits the arc monitor. The lens collects light from all directions, with the exception of a small shaded area behind the detector (see the polar diagram). Practical experiments have shown that arc light reflected between metallic surfaces is normally sufficient to cause tripping.

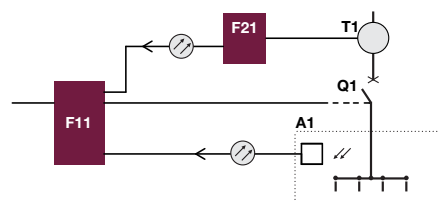
Detector positioning

The basic strategy for positioning the sensors is to make sure to cover all parts that may suffer from an arc. Typically this involves the horizontal and vertical bus bar system and the breaker cubicle. If possible, it's also normally preferable to supervise each cubicle. Avoid placing the detector so that it sees the normal light from a breaker. The sensor can detect arcs within a 3-meter distance (see illustration). To raise the safety level even higher, you can separate them at a 1.5-meter distance, thereby creating redundancy between them.

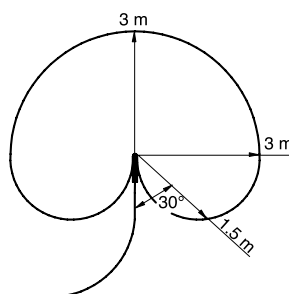


Arc Guard System with Arc Monitor

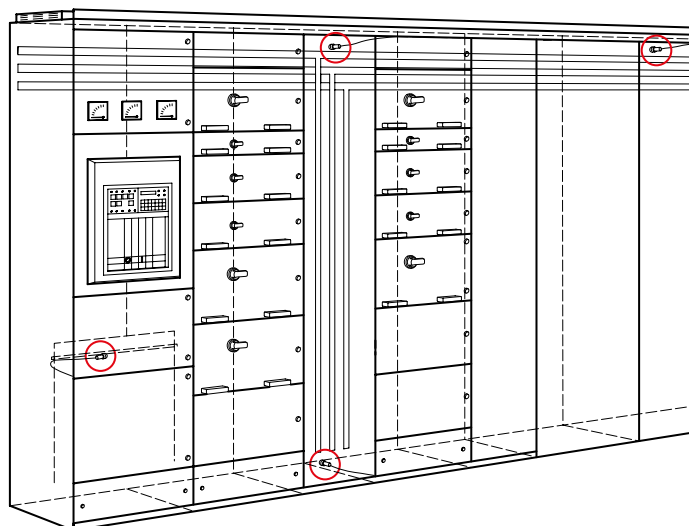
- A1 Switchgear
- F11 Arc Monitor
- F21 Current Sensing Unit
- T1 Current transformer
- Q1 Circuit-breaker



Arc Guard System with Arc Monitor and Current Sensing Unit



Polar diagram of detector

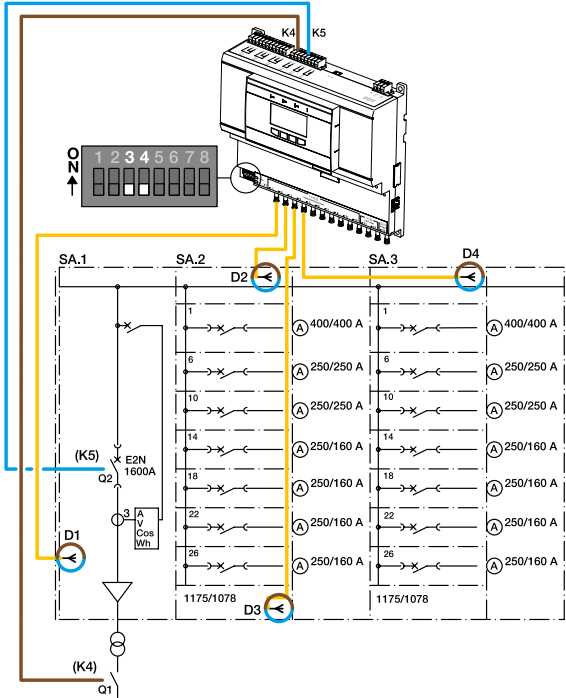


Example showing the position of detectors in:
 1. Horizontal and vertical bus bar system
 2. Circuit-breaker cubicle

Applications Diagrams

Example 1:

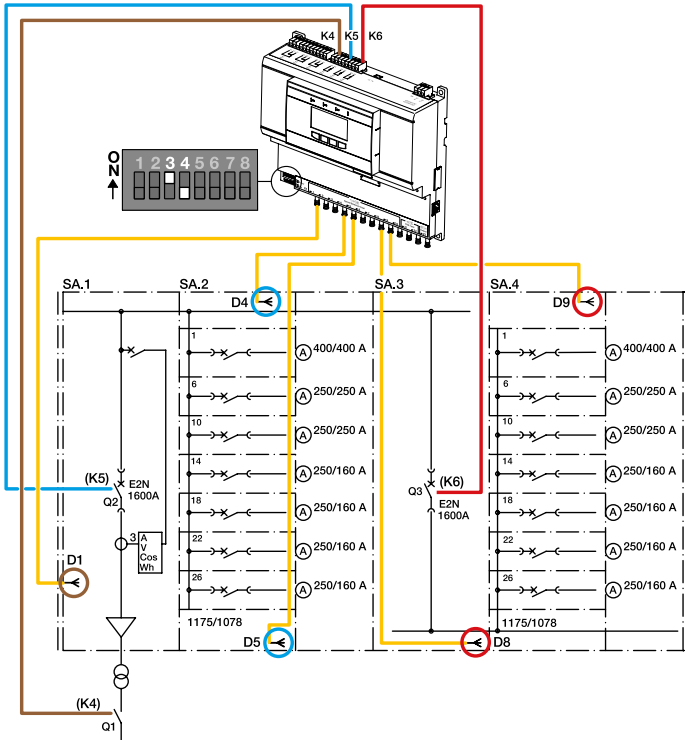
Arc Guard System™ installed to trip all breakers in case of an arc.



SA1... SA3	Switchgear
K4, K5	Solid state tripping contacts
Q1, Q2	Circuit-breaker
D1...D4	Detectors

Example 2:

Arc Guard System™ installed to trip different breakers depending on where the arc occurs.



SA1... SA4	Switchgear
K4, K5, K6	Solid state tripping contacts
Q1, Q2	Circuit breaker
Q3	Bus coupler
D1...D9	Detectors

Configuration

Trip condition configuration – Manual/auto reset configuration

System configuration using DIP switch

DIP switches are used to configure the system regarding use of current condition (activated CSU inputs) and assigning detectors to breaker trip outputs (so-called selectivity). They are located on the front (low, left) of the arc monitor.

DIP switches

Sw1	Current condition inputs Terminals X1:21-22	Sw5	Not used
Sw2	Current condition output Terminal X1:23	Sw6	Autoreset K2, K3 (signal relays)
Sw3	Trip output assign	Sw7	Not used
Sw4	Trip output assign	Sw8	Not used

Breaker trip output	Detector inputs
Output relay K4	Terminals X1:1-10
Output relay K5	Terminals X2:1-10
Output relay K6	Terminals X3:1-10

Trip condition configuration

TVOC-2 can be configured to trip selected breakers depending on which detector is signalling for an arc. This can be used to trip sections of a switchgear or use one monitor for several small switchgears. It also has an option to add a current condition, see page 13.

Symbol description

= Arc detected

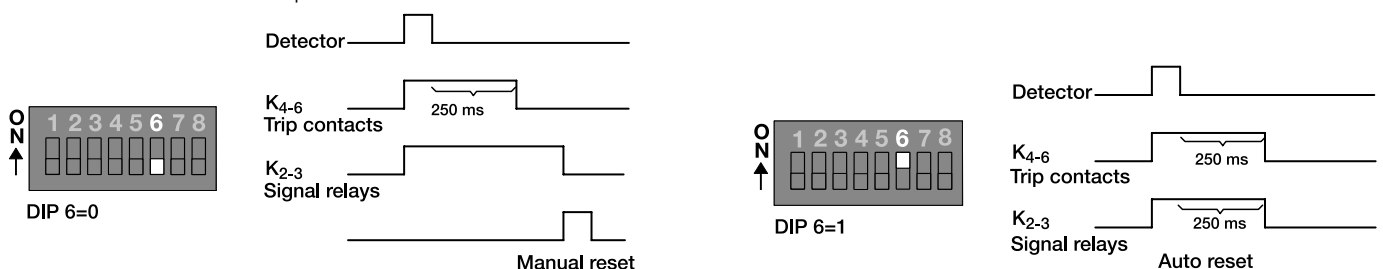
= Arc not detected

Configurable tripping relays

Configuration	Standard configuration, trip all breakers	Sw3	Sw4	Function detectors
<p>Configuration 1</p>		0	0	Any detection trips all breakers K4, K5, K6
<p>Configuration 2</p>		0	1	Detectors X1 operate K4 Detectors X2 operate K5 Detectors X3 operate K6
<p>Configuration 3</p>		1	0	Detectors X1:1-3 operate K4 Detectors X1:4-6 operate K5 Detectors X1:7-10, X2 and X3 operate K6

Manual/auto reset configuration

The signal relays K2, K3 can be configured to react as the trip contacts (auto reset) or to be de-energized by manual reset on the HMI. See below for explanation.



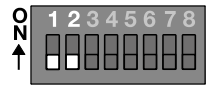
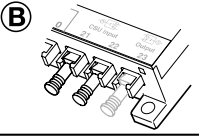

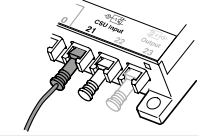

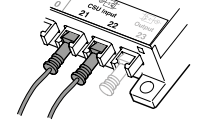
Configuration

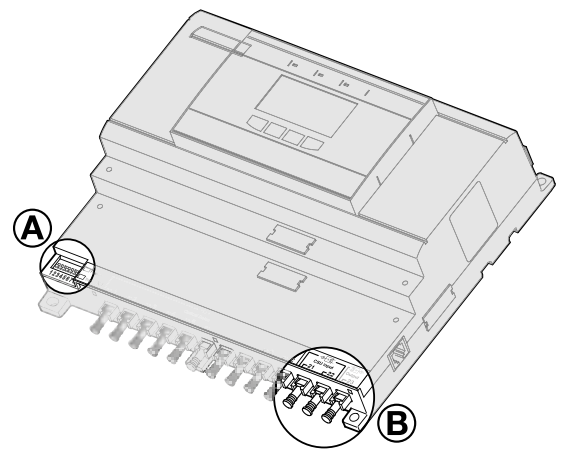
Current condition configuration

Normal trip configuration with additional current condition

A current condition is an option that could be used to avoid the risk of nuisance tripping due to strong light from other sources than arcs. The main risks are light from arc chutes and direct sunlight, which in normal cases can be avoided. Therefore the standard configuration is without CSU:s (Current Sensing Units).

All trip configurations on page 12 can be combined with an additional current condition. It is possible to connect up to two CSU:s directly to the Arc Monitor (AM) (input 21 and 22). To connect additional current sensing units in series is also possible if required. To share the current condition between different Arc Monitors can be done by connecting output 23 on the first Arc Monitor to the standard CSU input on the other. The Arc Monitor will then block the trip condition until it sees an over current.



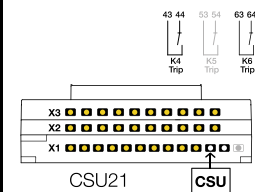
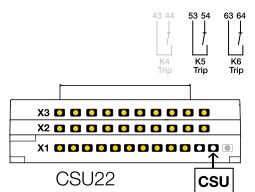
		Sw1	Sw2	Function current condition
No current sensing unit 		0	0	Not used
One current sensing unit 		1	0	Input CSU21 used
Two current sensing units 		1	1	Both inputs used



AM (Arc Monitor)

Special trip configuration depending on over current

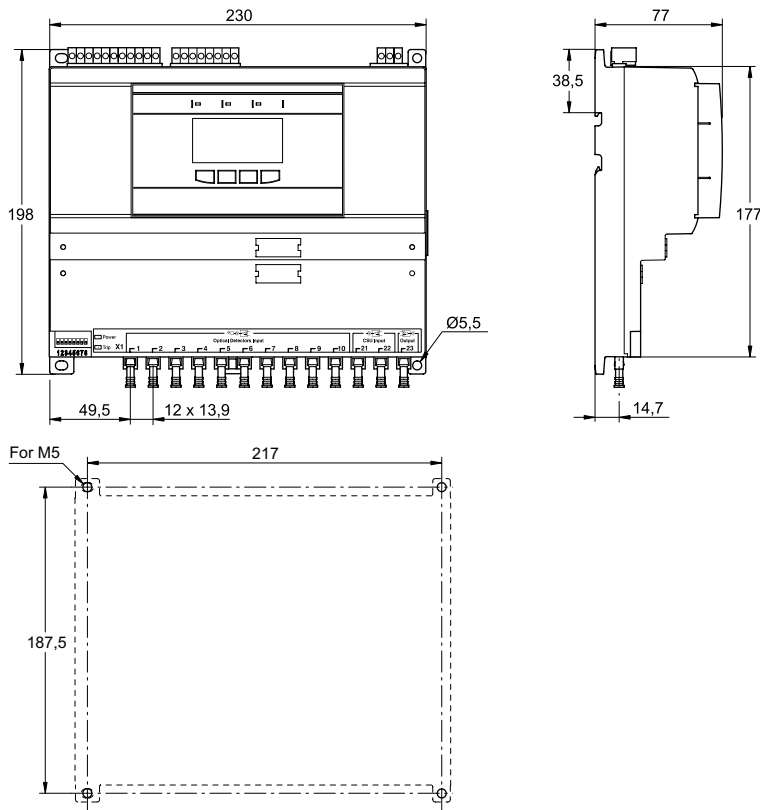
The arc monitor has a special trip configuration that determines trips depending on where it sees the over current. This configuration will then trip different breakers depending on which supply is showing an over current.

Symbol description		Configurable tripping relays	
 = Arc detected  = Arc not detected			Any detector + current condition CSU21 operate K4 + K6 Any detector + current condition CSU22 operate K5 + K6

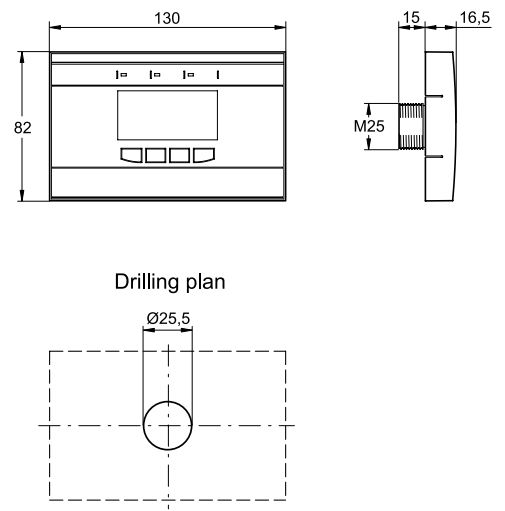
DIP switches 1, 2, 3 and 4 to position ON
 See manual for more details

Dimensions

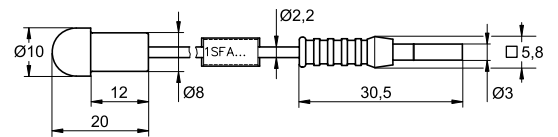
Arc Monitor



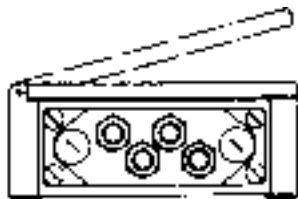
HMI, COM Module



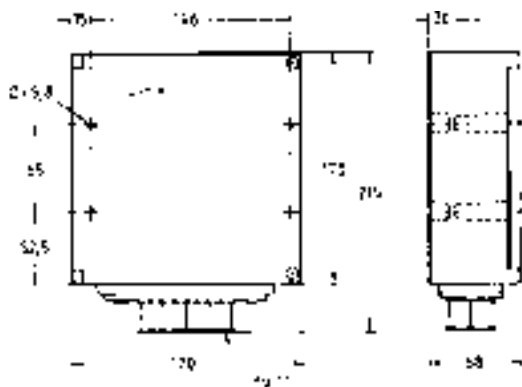
Detector with optical cable



Current Sensing Unit

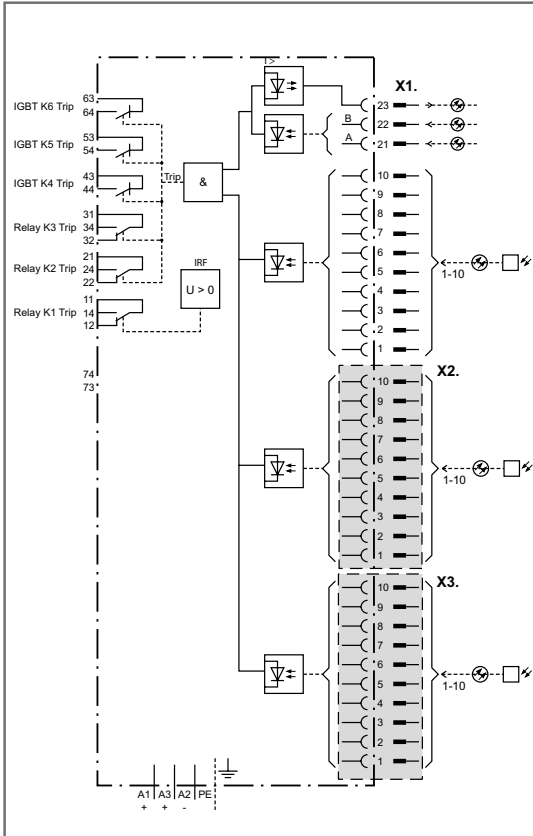


A flange with 6 tapped holes (size 18.6 mm), 4 cable glands (sealing diameter 5.5-8.5 mm), and 2 plastic blank plugs are supplied.

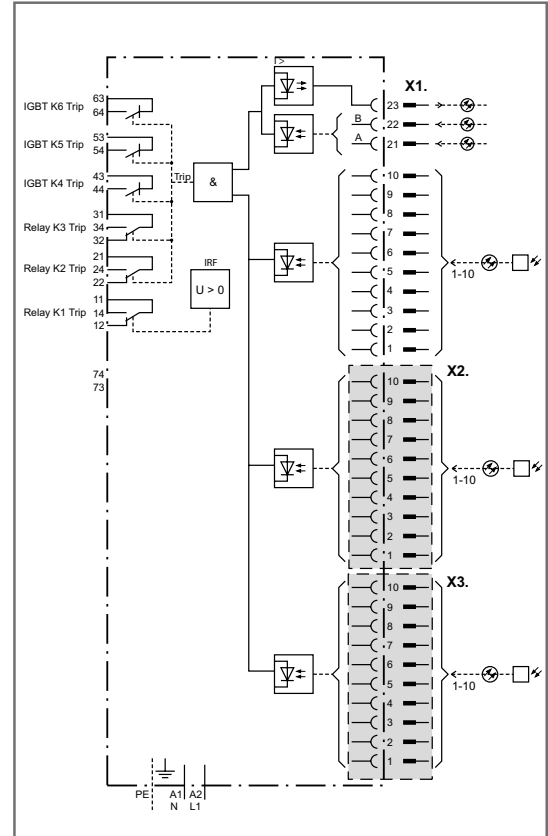


Circuit diagrams

Arc Monitor



TVOC-2-48 1SFA6641001R1002

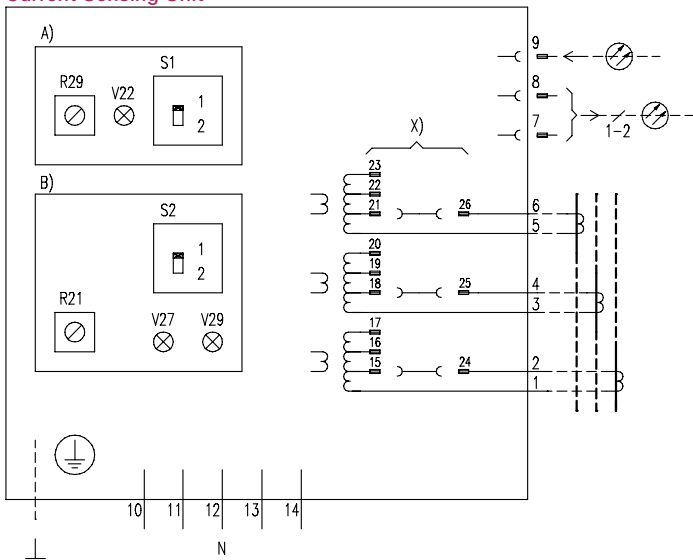


TVOC-2-240 1SFA664001R1001

Arc Monitor Terminals

X1 1-10	Detector input
X2 1-10	Extra detector unit detector input (option)
X3 1-10	Extra detector unit detector input (option)
A1, A2	Power supply
TVOC-2-48: A1, A2, A3	Power supply
PE	Power supply
43, 44	Solid-state contacts
53, 54	Solid-state contacts
63, 64	Solid-state contacts
11, 12, 14	Indication contacts
21, 22, 24	Indication contacts
31, 32, 34	Indication contacts

Current Sensing Unit



Current Sensing Unit

Terminals

1 ... 6	Current transformer terminals
7 and 8	Output current signal to another Current Sensing Unit or Arc Monitor
9	Input current signal from another Current Sensing Unit

Power supply terminals

10 and 12	24 V DC
11 and 12	60 V DC
11 and 12	48 V DC Interconnection 11-13
13 and 12	110 V - 125 V AC / DC
14 and 12	220 V DC, 230 V AC

A) Testing facilities:

R29	Simulating a test current
S1	1 = Test position 2 = Operation position
V22	Red ON = S1 in test position OFF = S1 in operation position

B) Setting facilities:

R21	Overcurrent setting
S2	1 = Input 9 not used 2 = Input 9 used
V27	Yellow ON = Load current less than 70% of set overcurrent level OFF = Load current more than 70% of overcurrent level
V29	Green ON = Load current less than set overcurrent level OFF = Load current more than set overcurrent level

X) Current range bridge connections

1A:	24-17, 25-20, 26-23
2A:	24-16, 25-19, 26-22
5A:	24-15, 25-18, 26-21

Contact us

For more information please contact:

ABB AB

Electrification Products

Protection & Connection

Motorgränd 20

SE-721 61 Västerås / Sweden



<http://new.abb.com/low-voltage/products/arc-guard>

Note

We reserve the right to make technical changes or modify the contents of this document without prior notice. With regard to purchase orders, the agreed particulars shall prevail. ABB does not accept any responsibility whatsoever for potential errors or possible lack of information in this document.

We reserve all rights in this document and in the subject matter and illustrations contained therein. Any reproduction, disclosure to third parties or utilization of its contents - in whole or in parts - is forbidden without prior written consent of ABB.

Copyright© 2014 ABB - All rights reserved