
Weatherproof Switches and Socket Outlets



Weatherproof Switched Isolator IP66



Range features:

- Degree of protection IP66 prevents dust and powerful water jets
- Complies to outdoor applications
- Enclosure made of high quality PC materials and high temperature insulation
- Resistance to Ultra Violet (UV) radiation and anti-corrosion

Isolator:

- High reliability with 4500 A rated short-circuit making capacity for isolators
- Complete accessories for easy installation

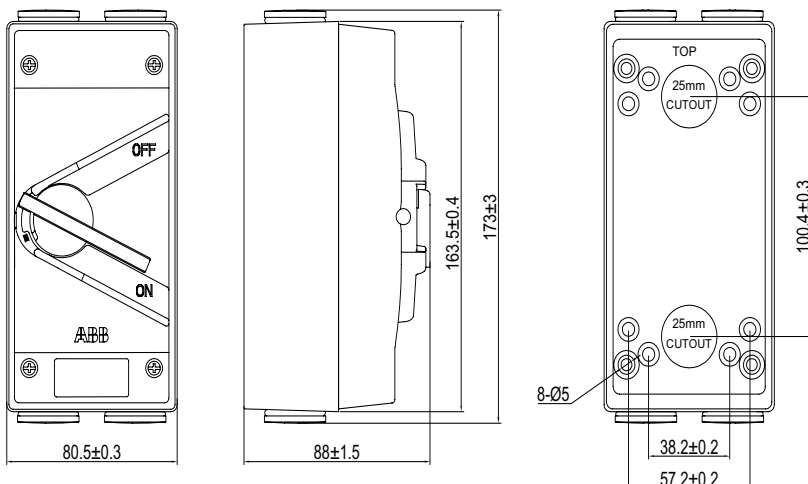
Technical Specification

Standard Specifications	IEC 60947-3 (Third Edition) + A1:2012 + A2:2015
Number of poles	2P & 4P
Rated operational current	20 A, 32 A, 45 A, 63 A
Rated operational voltage	240 V/440 V
Rated insulation voltage	630 V
Rated impulse withstand voltage	2.5 KV 1.2/50 μ s
Rated frequency	50/60 Hz
Rated utilization	AC-23 A
Rated making capacity	3 Ie
Rated breaking capacity	3 Ie
Rated short-time withstand current	15 Ie for 1 s
Rated short-circuit making capacity	4500 A
Pollution degree	3
Degree of protection	IP66

Ordering details

Stock code	Type	Description
2TCZ751006R0001	WSD220CL	20 A 2P Switch-Isolator
2TCZ751006R0002	WSD232CL	32 A 2P Switch-Isolator
2TCZ751006R0003	WSD245CL	45 A 2P Switch-Isolator
2TCZ751006R0004	WSD263CL	63 A 2P Switch-Isolator
2TCZ751006R0005	WSD420CL	20 A 4P Switch-Isolator
2TCZ751006R0006	WSD432CL	32 A 4P Switch-Isolator
2TCZ751006R0007	WSD445CL	45 A 4P Switch-Isolator
2TCZ751006R0008	WSD463CL	63 A 4P Switch-Isolator

Dimensions



Weatherproof switches IP66



1 gang switch



2 gang switch

Weatherproof switches:

- UV stabilized Polycarbonate
- Easy to grip toggles even when operating with bulky gloves
- IP66 protection rating

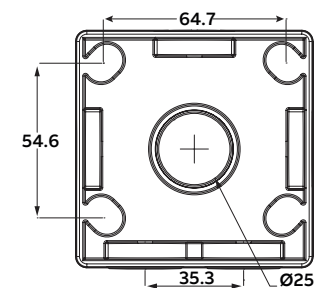
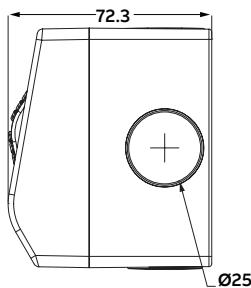
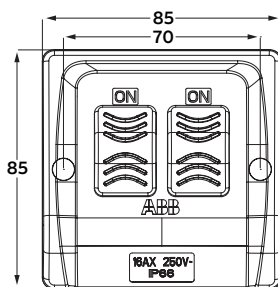
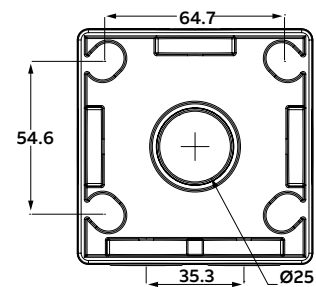
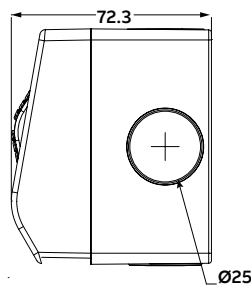
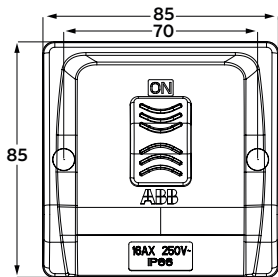
Technical Specification

Standard specifications	AS/NZS 3133:2013
	AS/NZS 3100:2009
Rated voltage	250 V AC
Rated current	16 AX
Degree of protection	IP66

Ordering details

Stock code	Type	Description
2CAF110717R0100	WSW211	1 gang switch
2CAF110817R0100	WSW221	2 gang switch

Dimensions



Weatherproof Switches IP66



Weatherproof Switches:

- UV stabilized Polycarbonate
- Easy to grip toggles even when operating with bulky gloves
- IP66 protection rating

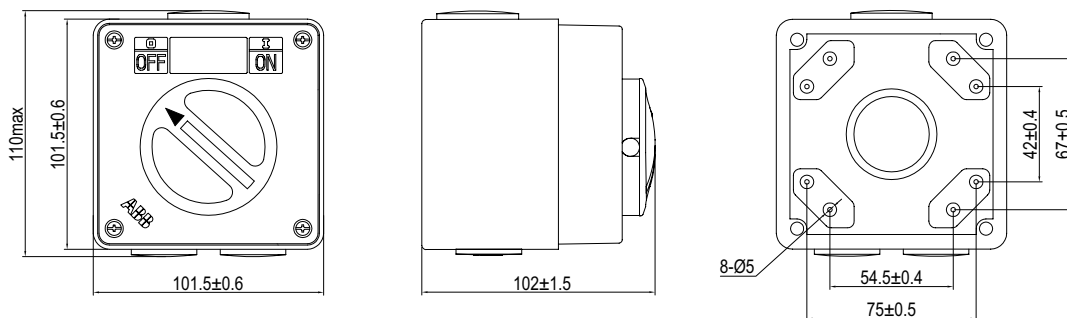
Technical Specification

Standard Specifications	IEC 60669
Rated voltage	250 V AC, 50 Hz
Rated current	10 AX, 20 AX
Degree of protection	IP66
Padlock	At "ON" & "OFF" position
Installation and connection	Conduit entry through M25 thread entries on top and bottom

Ordering details

Stock code	Type	Description
2TCZ751003R0030	WSW101CL	Weatherproof 10 AX 1W SW
2TCZ751004R0030	WSW102CL	Weatherproof 10 AX 2W SW
2TCZ751005R0070	WSW114CL	Weatherproof 20 AX 2P SW

Dimensions



Weatherproof Socket Outlets IP66



Socket Outlet:

- Modular socket design to accommodate vertical and horizontal installations
- Good elasticity and long lifespan as phosphor bronze integrated design for internal parts
- Sockets with safety shutter protection

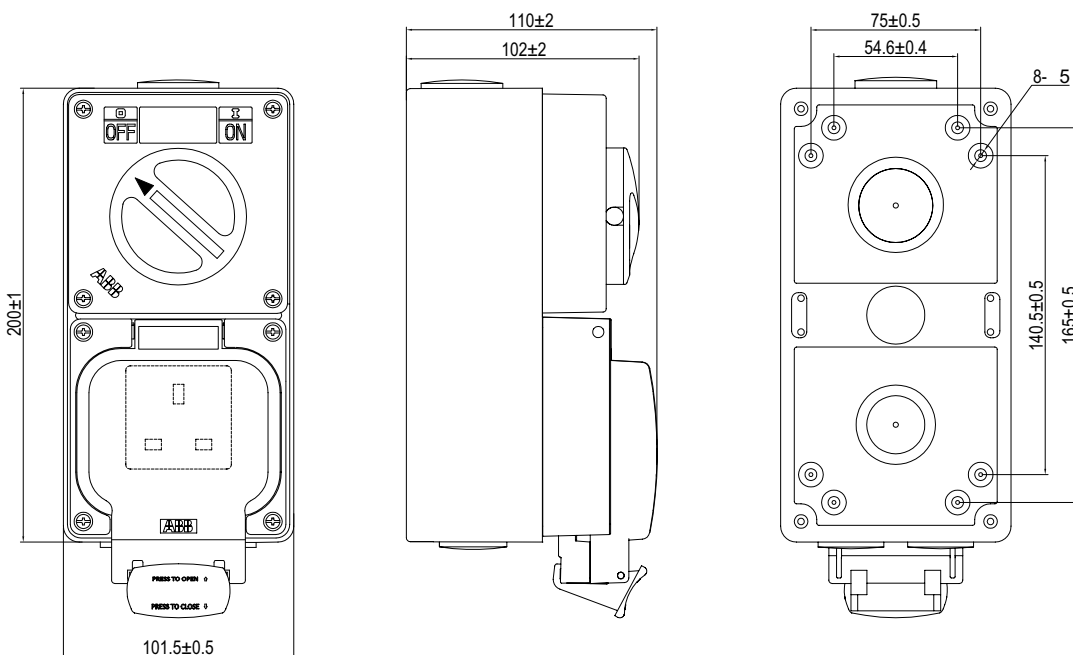
Technical Specification

Standard Specifications	IEC 60669-1 + A1:1999 + A2:2006 BS1363-2, BS546, MS589, IEC 60529
Rated operational current	10 AX, 20 AX, 13 A, 15 A
Rated operational voltage	250 V~
Rated frequency	50/60 Hz
Degree of protection	IP66

Ordering details

Stock code	Type	Description
2TCZ752001R0040	WSO123CL	Weatherproof 13 A UN-SW Socket Outlet
2TCZ752002R0040	WSO113CL	Weatherproof 13 A SW Socket Outlet
2TCZ752003R0050	WSO215CL	Weatherproof 15 A SW Socket Outlet

Dimensions



Weatherproof Cover IP55



Technical Specification

IEC 60529, IEC 60670
IP55 in used and unused situations
Transparent, impact resistant cover
No spring required
Soft pad to fill voids on uneven surface
Self holding cord grip
Card sloped to avoid water entering
No gasket is required
Can be padlocked
Easy to add-on to existing socket outlet

Ordering details

Stock code	Type	Description
2CAE565200R0100	CWP100	Weatherproof Cover
2CAE565900R0100	CWP200	2G Weatherproof Cover

Notes



—
UAE

ABB Industries LLC

Al Quoz Industrial Area 3
4th Interchange, St. No: 4 Dubai
Phone: 0097 143147500

Saudi Arabia

ABB Electrical Industries Co. Ltd.

Al Ahsa Street, Malaz 11371, Riyadh
Phone: 00966 11 4845600

Qatar

ABB LLC

Al Asmakh Tower, 15th floor
864 Hazm Zraig St., Bldg No. 49
Zone 63, Onaiza District, West Bay
PO BOX 8688, Qatar
Phone: +974 4425 3888

Kuwait

**ABB Engineering Technologies Co.
(KSCC)**

Alghunaim Commercial Tower, 2nd Floor,
Al-Qibla Area
P.O. Box 4275, Safat-13043, Abu Baker
Al-Sadique Street, Kuwait
Phone: +965 2428626

Bahrain

ABB Technologies W.L.L.

Gulf Executive Offices, 12/Flr. Office 1023
Entrance 15, Road 3801, Al Gudaibiya 338
P.O. Box 2774, Manama,
Kingdom of Bahrain.
Phone : +973 17810659

Oman

ABB LLC

218, Hatat House, P. O. Box 778,
131 Al Hamriya Muscat, Oman
Phone: 00968 24 567 410

Nigeria

ABBNG LTD

Plot 8C Metalbox road,
off Acme road Ogba,
Ikeja, Lagos, Nigeria
Phone: 0023412705669

Ghana

ABB

2nd Floor, Heritage Tower
6th Avenue Ridge, Accra
Phone: 00233 (0) 302631500

Singapore

ABB Pte. Ltd.

2, Ayer Rajah Crescent
SGP - 139935 Singapore
Phone: +65 6 776 5711
Fax: +65 6 778 0222

Malaysia

ABB Malaysia Sdn Bhd

Block A, Level 2, Lot 608, Jalan SS13/1K
47500 Subang Jaya
MY Selangor Darul Ehsan
Phone: +603 5628 4888
Fax: +603 5635 8200

Vietnam

ABB Ltd. (Vietnam)

Km 9 National Highway 1A, Hoang Liet, Hoang Mai,
Hanoi, Vietnam
Phone: +8448611010
Fax: +8443611009

Hong Kong China

ABB (Hong Kong) Limited

Units 3-4, 7/F, Skyway House, South Block,
3 Sham Mong Road, Tai Kok Tsui, Kowloon, Hong Kong
Phone: +852 2929-3912
Fax: +852 2929-3505

Pakistan

ABB (Pakistan) Ltd.

4-B, Chamba House Lane
GOR-1 Lahore, Pakistan
Phone: +92 42 631 5882-6
Fax: +92 4236368565